

# Color Camera

LVC-S10NM (NTSC)  
LVC-S10NP (PAL)



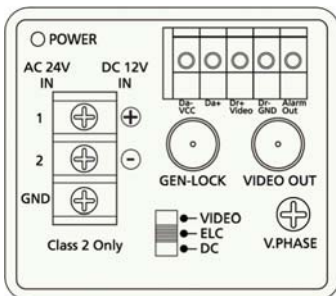
## Feature

- Digital Signal Processing (DSP)
- 320 TV lines of horizontal resolution
- High sensitivity with a minimum scene illumination of 0.5 lux (F1.0)
- BLC covers various light conditions
- White Balance : Auto / Manual
- Excellent signal-to-noise ratio of 50dB
- Internal / External synchronization with line-lock
- Accept 3 types of auto iris lenses (Video / ELC / DC)
- On screen menus
- Motion detection
- Wide burst for long distance use
- Accept CS and C mount lenses without adaptor

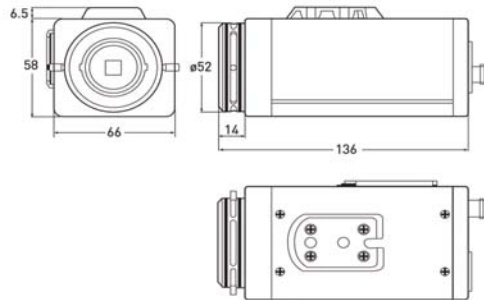
## Specifications

Model	LVC-S10NM	LVC-S10NP
Signal System	NTSC	PAL
Effective Pixels No.	270K Pixels	320K Pixels
Pick-up Device	1/3" Interline Color CCD(Super HAD)	
Lens	C/CS Mount	
Iris Control	VIDEO / ELC / DC	
Signal Process	Digital Signal Process	
Digital Zoom	-	
Scanning System	2:1 Interlace	
Sync. System	Internal / External (VS/VD/Line Lock)	
Scanning Frequency	59.94Hz(VD)	50Hz(VD)
Resolution	320 Lines	
S/N Ratio	More Than 50dB	
Standard Illumination	2000 Lux (3200 °K)	
Sensitivity(1/3 Output)	0.5 Lux (30IRE,F1.0)	
Video Output Signal	1 Vp-p Composite (75Ω)	
Back Light	On / Off	
Gain Control	On / Off	
White Balance	ATW / AWC / Push Auto	
Electronic Exposure	Electronic Shutter(1/60-1/10000)	Electronic Shutter(1/50-1/10000)
Shutter Speed	8 Step with Flickerless(Normal 1/60)	8 Step with Flickerless(Normal 1/50)
Brightness	Manual Up / Down	
Motion Detection	TTL Out (Low Active)	
Wide Burst	On / Off	
Sharpness	Normal/ Soft/ Sharp	
Power Source	DC12V / AC24V	
Power Consumption	3.5W	
Operation Temperature	-10°C ~ 50°C	
Storage Temperature	-20°C ~ 60°C	
Weight	430g	
Dimension (H x V x D)	58 x 66 x 136mm	

## Rear View



## Dimension (unit : mm)



## Dealer



## Exclusive Distributor

**Alerta Elektronik ve Güvenlik Sistemleri**  
Halaskargazi Cad. No: 329/5 34381  
Şişli / İSTANBUL-TÜRKİYE  
Tel:0212 219 81 81 Faks:0212 219 35 71  
www.alerta.com.tr info@alerta.com.tr