

x27 Network Dome Camera

LPT-DW113



Feature

- Built-in x27Optical Zoom Lens
- Day/Night function
- Digital Slow Shutter
- Wide Dynamic Range
- 2 alarm input, 2 alarm output
- IP66(Protect against dust and strong jets of water)



Bracket



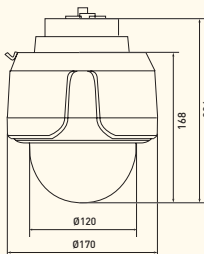
Rear View



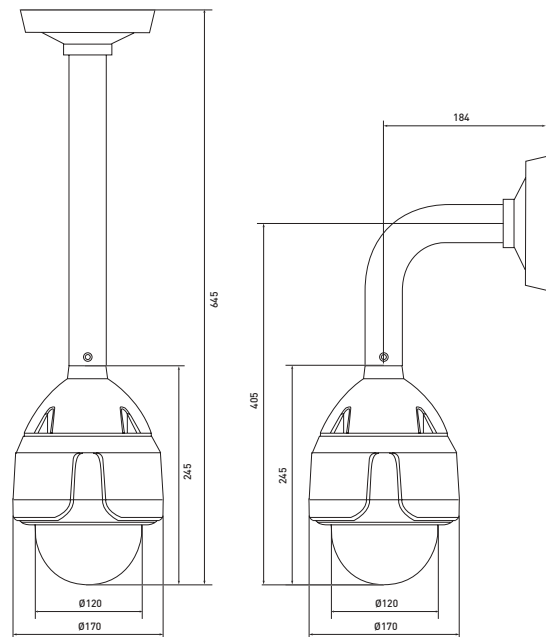
Ceiling Insert Type



Dimension (unit : mm)



INDOOR



OUTDOOR

Specifications

Model	LPT-DW113	
Signal System	NTSC	PAL
Resolution	704*480,704*240	704*576,704*288
	352*480,352*240	352*576,352*288
Frame Rate	30 fps 1,2,3,4,5,6,7,10,15,30(Frame Control)	25fps 1,2,3,4,5,6,7,8,12,25(Frame Control)
Video Compression	MPEG4(Dual Stream) : 2 output JPEG(Alarm Notification) : JPEG Stream not available	
Streaming	Dual compressed stream : Independent resolution, compression frame rate and bit rate (CBR/VBR) setting support	
Audio direction	Full Duplex(MIC/Speaker Port support)	
Audio Compression	G.723(ADPCM)	
Alarm In/Out	2 digital inputs(5V Open/Short), 2 relay outputs	
Pre/Post Alarm Buffer	Pre Alarm Buffer:10 sec. / Post Alarm Buffer: 20 sec.	
Motion Detection	Motion Vector Based	
Security ID/Password	Multi level user ID/password	
Security Encryption	DES	
Network Physical Layer	10/100base TX Ethernet	
Network Protocol	TCP/IP, HTTP, FTP,SMTP,NTP,ARP,DDNS	
Network IP support	Dynamic, Static, Private IP	
Management Remote Administration	Remote configuration and status using web-based tool	
Management System Update	Remote system update over network using web client	
Application PC Client	PC Client Application with a channel recording feature support	
Application Web Client	Viewer through HTTP / System Configuration Setting / 1Ch Recording Available	
Application API	API Support(OCX Support)	
Diameter*Height	170 * 275(outdoor) / 170 * 212(indoor)	
Power Consumption	Max. 20W	