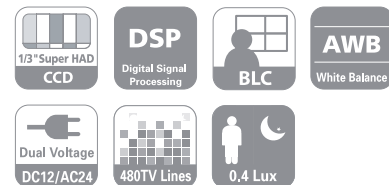


1/2" CAMERA

LSX701P(PAL)/LSX701N(NTSC)



Specifications

Model	LSX701N	LSX701P
Signal System	NTSC	PAL
Total/Effective Pixels No	410K / 380K	470K / 440K
Pick-up Device	1/2" Interline EXview HAD CCD	
Lens	C/CS Mount Lens	
Signal Process	Digital Signal Process	
Sync System	Internal / Line Lock	
Scanning Frequency (H)	15.734KHz	15.625KHz
Scanning Frequency (V)	59.94 Hz (VD)	50 Hz (VD)
Horizontal Resolution	650 Lines	650 Lines
S/N Ratio	More Than 52dB (AGC Off, F1.2)	
Video Output Signal	1Vp-p Composite (75ohm)	
Minimum Illumination ( Color, F1.2, 30IRE )	0.00003 Lux (sens-up)	0.03 Lux (AGC High, DNR)
Iris Control	DC/ELC	
Gain Control	OFF/LOW/MIDDLE/HIGH	
Exposure	ALC/ELC	
Shutter Speed	1/60 - 1/90,000	1/50 - 1/90,000
White Balance	ATW/MANUAL	
I/O Connector	BNC	
Power Source	DC 12V / AC24V	
Power Consumption	4.4 W	
Operation Temp	-10°C - 50°C, 0%RH-80%RH	
Storage Temp	-20°C - 60°C, 0%RH-85%RH	
Weight	420g	
Dimension (H x V x D)	68 x 61.5 x 122 mm	

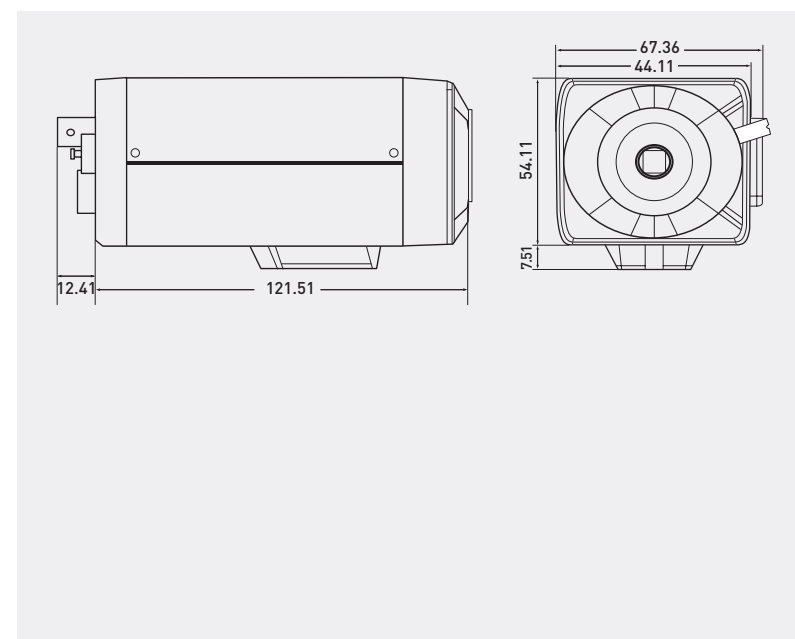
Features

- 650 TV Lines
- Interlace Scan 1/2 inch EXview HAD CCD
- SENS-UP
- ICR DAY & NIGHT
- 3D-DNR
- DC 12V / AC24V
- 8 PRIVACY MASKING AREA
- Multi , Alarm Function
- Multi Language OSD

Side & Rear View



Dimension (unit : mm)



Fixed Camera